

### Features

- Cast iron with Safeguard® finish
- Integral apron
- Left or right drain
- 60" (1524 mm) x 30-1/4" (768 mm) x 14" (356 mm)

### BATH WITH INTEGRAL APRON

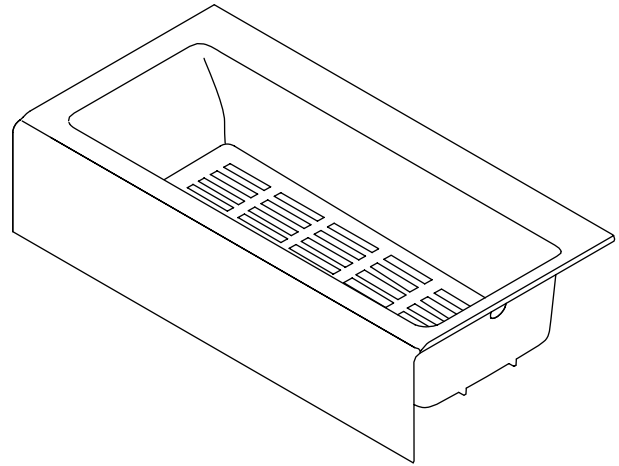
**K-837**  
ALSO K-838

ADA

### Codes/Standards Applicable

Specified model meets or exceeds the following:

- ADA
- ICC/ANSI A117.1
- ASME A112.19.1/CSA B45.2



### Colors/Finishes

- 0: White
- Other: Refer to Price Book for additional colors/finishes

### Accessories

- CP: Polished Chrome
- Other: Refer to Price Book for additional colors/finishes

### Specified Model

Model	Description	Colors/Finishes	
K-837	Bath with integral apron – left drain	<input type="checkbox"/> 0	<input type="checkbox"/> Other _____
K-838	Bath with integral apron – right drain (shown)	<input type="checkbox"/> 0	<input type="checkbox"/> Other _____

Recommended Accessories			
K-7213	Clearflo cable bath drain with PVC tubing <b>OR</b>	<input type="checkbox"/> CP	<input type="checkbox"/> Other _____
K-7214	Clearflo cable bath drain, less PVC tubing <b>OR</b>	<input type="checkbox"/> CP	<input type="checkbox"/> Other _____
K-7160-TF	Clearflo pop-up bath drain	<input type="checkbox"/> CP	<input type="checkbox"/> Other _____

### Product Specification

The bath shall be made of cast iron with Safeguard finish. Product shall be 60" (1524 mm) in length, 30-1/4" (768 mm) in width, and 14" (356 mm) in height. Product shall feature an integral apron. Product shall be available with left or right drain. Bath shall be Kohler Model K-\_\_\_\_-\_\_\_\_.

# BELLWETHER®

## Technical Information

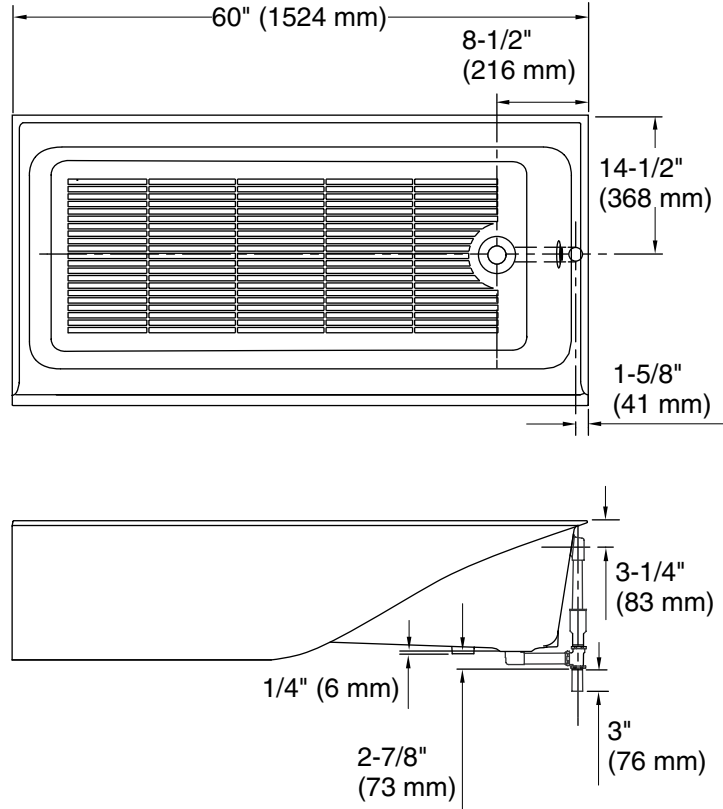
Fixture*:	
Bathing well:	
Basin area, bottom	48-3/4" (1238 mm) x 19-5/16" (491 mm)
Basin area, top	54-11/16" (1389 mm) x 21-3/16" (538 mm)
Weight	325 lbs (147 kg)
To overflow:	
Water depth	9" (229 mm)
Capacity	32.6 gal (123.4 L)
*Approximate measurements for comparison only.	

## Installation Notes

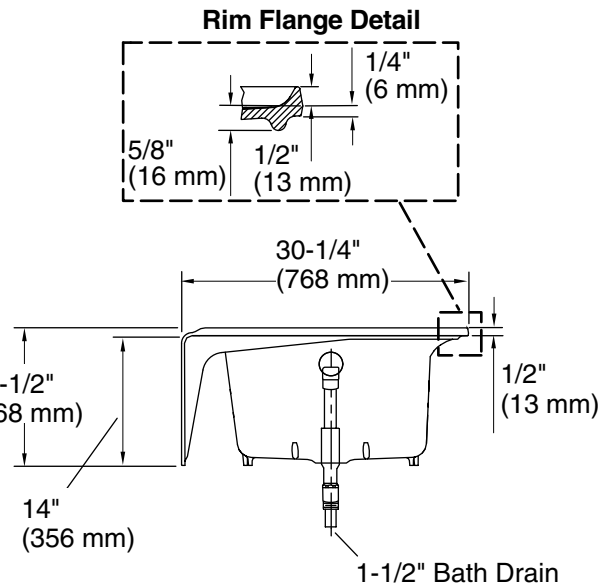
Install this product according to the installation guide.

Floor support under the bath must provide for a minimum of 52 lbs/square foot (252.8 kg/square meter) loading.

Will comply with **ADA** when installed per Section 607 Bathtubs of the Act.



No change in measurement if connected with drain illustrated. (K-7160-TF)



## Product Diagram